

### Electric Counterbalanced Forklifts

36 & 48 Volt AC-Powered  
3,000 - 8,000 lb. Capacities | Cushion Tire



#### MAIN TRUCK SPECIFICATIONS

CHARACTERISTICS				UniCarriers				
	1	Manufacturer		BXC30N		BXC35N		
	2	Model	Model Designation	MCJ1B1L15S		MCJ1B1L18S		
	3		Long Model Code					
CHARACTERISTICS	4	Rated Load Capacity	lbs (kg)	3,000 (1,350)		3,500 (1,600)		
	5	Load Center	Distance	24 (600)		24 (600)		
	6	Power Type	Electric	36v / 48v		36v / 48v		
	7	Operator Orientation		Sit Down		Sit Down		
	DIMENSIONS	8	Tire Type	Front & Rear	Cushion		Cushion	
		9	Wheels	Number- front/rear (x=driven)	2x / 2		2x / 2	
		10	Mast	Maximum fork height	130 (3,300)		130 (3,300)	
11			Mast lowered (OHL)	82.9 (2,110)		82.9 (2,110)		
12			Mast extended with LBR	179.3 (4,555)		179.3 (4,555)		
13			Standard freelif	3.9 (100)		3.9 (100)		
14		Forks	Thickness & Width	1.5 x 4 (40 x 100)		1.5 x 4 (40 x 100)		
15			Length (STD)	42.1 (1,070)		42.1 (1,070)		
16		Tilt Angle	Standard mast - fwd/back	5/10		5/10		
17		Overall Dimensions	Length (to face of forks)	80.9 (2,055)		81.3 (2,060)		
18			Width (standard tires)	38.2 (970)		38.2 (970)		
19			Height - top of OHG	86.2 (2,190)		86.2 (2,190)		
20			Height - top of LBR	48.0 (1,220)		48.0 (1,220)		
21			Width - standard carriage	32.4 (825)		32.4 (825)		
22		Grade Clearance	Ramp breakover angle	26		26		
23			Departure angle	36		36		
24		Overhang	Front	15.9 (405)		15.9 (405)		
25		Rear	16.9 (430)		17.1 (435)			
26	Turning Radius	Minimum outside	70.9 (1,800)		70.9 (1,800)			
27	Minimum Right Angle Stack	Add load length & clearance	86.8 (2,205)		86.8 (2,205)			
PERFORMANCE	28	Speeds Maximum	Travel - loaded (36v / 48v)	9.0 (14.5)	9.0 (14.5)	9.0 (14.5)	9.0 (14.5)	
	29		Travel - unloaded (36v / 48v)	10.6 (17.0)	10.6 (17.0)	10.3 (16.5)	10.3 (16.5)	
	30		Lift - loaded (36v / 48v)	66.0 (335)	85.7 (435)	59.1 (300)	76.8 (390)	
	31		Lift - unloaded (36v / 48v)	105.3 (535)	126.0 (640)	105.3 (535)	126.0 (640)	
	32		Lowering - loaded	98.5 (500)		98.5 (500)		
	33		Lowering - unloaded	97.5 (495)		97.5 (495)		
	34	Drawbar Pull Maximum	Full load (36v / 48v)Front/Rear	2,378 (10,580)	2,708 (12045)	2,378 (10,580)	2,708 (12,045)	
35	Gradeability Maximum	Full load (36v / 48v)Front/Rear	20.8	24.0	18.5	21.5		
WEIGHT	36	Truck Weight*	Empty, minus battery	6,550 (2,970)		6,945 (3,150)		
	37	Weight Distribution	Full load front/rear - minus battery	8,305 / 1,245 (3,770 / 565)		9,135 / 1,310 (4,145 / 595)		
	38		No load front/rear - minus battery	2,815 / 3,735 (1,275 / 1,695)		2,725 / 4,220 (1,235 / 1,915)		
CHASSIS & WHEELS	40	Tire Size	Front	18 x 6 x 12-1/8		18 x 6 x 12-1/8		
	41		Rear	14 x 5 x 10		14 x 5 x 10		
	42	Wheelbase		48 (1,220)		48 (1,220)		
	43	Tread - Center of Tire	Front/rear (standard tires)	32.1 / 32.3 (815 / 820)		32.1 / 32.3 (815 / 820)		
	44	Headroom	SIP to bottom of OHG	36.1 (918)		36.1 (918)		
	45	Counterweight Height		42.3 (1,075)		42.3 (1,075)		
	46	Step Height		17.3 (440)		17.3 (440)		
	47	Ground Clearance	Under Mast	3.0 (75)		3.0 (75)		
	48		Under power unit	2.3 (60)		2.3 (60)		
	49		Under frame, center of wheelbase	3.1 (80)		3.1 (80)		
50	Service Brake	Type	Hyd / Elec		Hyd / Elec			
51	Parking Brake	Type	Pedal		Pedal			
52	Steering	On-demand	Hydraulic		Hydraulic			
DRIVE LINE	53	Traction Motor	Type	AC Induction		AC Induction		
	54		Control Type	MOS-INV		MOS-INV		
	55		Rating	7.0	9.2	7.0	9.2	
	56	Pump Motor	Type	AC Induction		AC Induction		
57		Rating	8.3	11.3	8.3	11.3		
BATTERY	58	Required Battery Size	Minimum - W x L	30.12 x 20.87 (765 x 530)		30.12 x 20.87 (765 x 530)		
	59		Minimum - H	21.37 (540)		21.37 (540)		
	60		Maximum - W x L	35.15 x 26.68 (895 x 680)		35.15 x 26.68 (895 x 680)		
	61		Maximum - H	22.81 (580)		22.81 (580)		
	62		Capacity - Minimum (36v / 48v)	600	450	600	450	
	63		Capacity - Maximum (36v / 48v)	900	700	900	700	
	64	Weight	Minimum / Maximum	1,840 / 2,535 (835 / 1,150)		1,840 / 2,535 (835 / 1,150)		
	65	Lead Length	Position B	18 (455)		18 (455)		
	66	Connector	Type	SB-350 Gray		SB-350 Gray		

**MAIN TRUCK SPECIFICATIONS**

CHARACTERISTICS	1	Manufacturer		UniCarriers							
	2	Model	Model Designation	BXC40N		BXC40R		BXC50N			
	3		Long Model Code	MCT1B2L20S		MCT1B2R20S		MCT1B2L25S			
CHARACTERISTICS	4	Rated Load Capacity		lbs (kg)	4,000 (1,800)		4,000 (1,800)		5,000 (2,250)		
	5	Load Center	Distance	in (mm)	24 (600)		24 (600)		24 (600)		
	6	Power Type	Electric	voltage	36v / 48v		36v / 48v		36v / 48v		
	7	Operator Orientation			Sit Down		Sit Down		Sit Down		
	DIMENSIONS	8	Tire Type	Front & Rear		Cushion		Cushion		Cushion	
		9	Wheels	Number- front/rear (x=driven)		2x / 2		2x / 2		2x / 2	
		10	Mast	Maximum fork height	in (mm)	130 (3,300)		130 (3,300)		130 (3,300)	
11		Mast lowered (OHL)		in (mm)	83.1 (2115)		83.1 (2115)		83.1 (2115)		
12		Mast extended with LBR		in (mm)	179.3 (4555)		179.3 (4555)		179.3 (4555)		
13		Forks	Standard freelif	in (mm)	4.1 (105)		4.1 (105)		4.1 (105)		
14			Thickness & Width	in (mm)	1.5 x 4 (40 x 100)		1.5 x 4 (40 x 100)		1.5 x 4 (40 x 100)		
15			Length (STD)	in (mm)	42.1 (1070)		42.1 (1070)		42.1 (1070)		
16		Tilt Angle	Standard mast - fwd/back	deg	5/10		5/10		5/10		
17		Overall Dimensions	Length (to face of forks)	in (mm)	84.8 (2155)		84.8 (2155)		86.2 (2190)		
18			Width (standard tires)	in (mm)	42.1 (1070)		42.1 (1070)		42.1 (1070)		
19			Height - top of OHG	in (mm)	87.4 (2220)		87.4 (2,220)		87.4 (2220)		
20			Height - top of LBR	in (mm)	48.0 (1220)		48.0 (1220)		48.0 (1220)		
21			Width - standard carriage	in (mm)	36.2 (920)		36.2 (920)		36.2 (920)		
22		Grade Clearance	Ramp breakover angle	%	31		31		31		
23			Departure angle	%	35		35		33		
24		Overhang	Front	in (mm)	16.7 (425)		16.7 (425)		16.7 (425)		
25	Rear		in (mm)	18.5 (470)		18.5 (470)		19.9 (505)			
26	Turning Radius	Minimum outside	in (mm)	72.6 (1845)		72.6 (1845)		73.8 (1875)			
27	Minimum Right Angle Stack	Add load length & clearance	in (mm)	89.3 (2270)		89.3 (2270)		90.5 (2300)			
PERFORMANCE	28	Speeds Maximum	Travel - loaded (36v / 48v)	mph (km/h)	10.3 (16.5)	10.3 (16.5)	10.3 (16.5)	10.3 (16.5)	9.3 (15.0)	9.3 (15.0)	
	29		Travel - unloaded (36v / 48v)	mph (km/h)	10.6 (17.0)	10.6 (17.0)	10.6 (17.0)	10.6 (17.0)	10.6 (17.0)	10.6 (17.0)	
	30	Lift - loaded (36v / 48v)		fpm (mm/sec)	69.0 (350)	75.8 (385)	69.0 (350)	75.8 (385)	63.0 (320)	67.9 (345)	
	31		Lift - unloaded (36v / 48v)	fpm (mm/sec)	108.3 (550)	119.1 (605)	108.3 (550)	119.1 (605)	108.3 (550)	119.1 (605)	
	32	Lowering - loaded		fpm (mm/sec)	98.5 (500)		98.5 (500)		98.5 (500)		
	33		Lowering - unloaded	fpm (mm/sec)	97.5 (495)		97.5 (495)		97.5 (495)		
	34	Drawbar Pull Maximum	Full load (36v / 48v)Front/Rear	lb (N)	3410 (15170)	3482 (15490)	3410 (15170)	3482 (15490)	3410 (15170)	3482 (15490)	
35	Gradeability Maximum	Full load (36v / 48v)Front/Rear	%	23.5	24.0	23.5	24.0	20.0	20.5		
WEIGHT	36	Truck Weight*	Empty, minus battery	lbs (kg)	8090 (3670)		8090 (3670)		8950 (4060)		
	37	Weight Distribution	Full load front/rear - minus battery	lbs (kg)	10515 / 1575 (4770 / 715)		10585 / 1520 (4801 / 689)		12110 / 1840 (5495 / 835)		
	38		No load front/rear - minus battery	lbs (kg)	3230 / 4860 (1465 / 2205)		3300 / 4805 (14975 / 2180)		3000 / 5950 (1360 / 2700)		
CHASSIS & WHEELS	40	Tire Size	Front	in	21 x 7 x 15		21 x 7 x 15		21 x 7 x 15		
	41		Rear	in	16-1/4 x 6 x 11-1/4		16-1/4 x 6 x 11-1/4		16-1/4 x 6 x 11-1/4		
	42	Wheelbase		in (mm)	49.6 (1260)		49.6 (1260)		49.6 (1260)		
	43	Tread - Center of Tire	Front/rear (standard tires)	in (mm)	35.0 / 35.0 (890 / 890)		35.0 / 35.0 (890 / 890)		35.0 / 35.0 (890 / 890)		
	44	Headroom	SIP to bottom of OHG	in (mm)	36.1 (918)		36.1 (918)		36.1 (918)		
	45	Counterweight Height		in (mm)	43.5 (1105)		43.5 (1105)		43.5 (1105)		
	46	Step Height		in (mm)	18.5 (470)		18.5 (470)		18.5 (470)		
	47	Ground Clearance	Under Mast	in (mm)	3.1 (80)		3.1 (80)		3.1 (80)		
	48		Under power unit	in (mm)	3.9 (100)		3.9 (100)		3.9 (100)		
	49		Under frame, center of wheelbase	in (mm)	3.7 (95)		3.7 (95)		3.7 (95)		
50	Service Brake	Type			Hyd / Elec		Hyd / Elec		Hyd / Elec		
51	Parking Brake	Type			Pedal		Pedal		Pedal		
52	Steering	On-demand			Hydraulic		Hydraulic		Hydraulic		
DRIVE LINE	53	Traction Motor	Type		AC Induction		AC Induction		AC Induction		
	54		Control Type		MOS-INV		MOS-INV		MOS-INV		
	55		Rating	kW/h	9.0	12.0	9.0	12.0	9.0	12.0	
	56	Pump Motor	Type		AC Induction		AC Induction		AC Induction		
57	Rating		kW/5 min	12.8	13.7	12.8	13.7	12.8	13.7		
BATTERY	58	Required Battery Size	Minimum - W x L		37.62 x 22.06 (955 x 560)		37.62 x 22.06 (955 x 560)		37.62 x 22.06 (955 x 560)		
	59		Minimum - H		21.37 (540)		21.37 (540)		21.37 (540)		
	60	Maximum - W x L			39.06 x 28.25 (990 x 715)		39.06 x 30.47 (990 x 774)		39.06 x 28.25 (990 x 715)		
	61		Maximum - H		22.81 (575)		22.81 (575)		22.81 (575)		
	62	Capacity - Minimum (36v / 48v)			825	600	825	600	825	600	
	63		Capacity - Maximum (36v / 48v)		1100	800	1100	800	1100	800	
	64	Weight	Minimum / Maximum	lbs (kg)	2491 / 3064 (1130 / 1390)		2491 / 3240 (1130 / 1470)		2491 / 3064 (1130 / 1390)		
	65	Lead Length	Position B	in (mm)	18 (455)		18 (455)		18 (455)		
66	Connector		Type	SB-350 Gray		SB-350 Gray		SB-350 Gray			

**MAIN TRUCK SPECIFICATIONS**

CHARACTERISTICS	1	Manufacturer		UniCarriers						
	2	Model	Model Designation	BXC50R		BXC50LN		BXC60N		
	3		Long Model Code	MCT1B2R25S		MCTG1B2L25S		MCTG1B2L30S		
	4	Rated Load Capacity		lbs (kg)	5,000 (2,250)		5,000 (2,250)		6,000 (2,700)	
	5	Load Center	Distance	in (mm)	24 (600)		24 (600)		24 (600)	
	6	Power Type	Electric	voltage	36v / 48v		36v / 48v		36v / 48v	
	7	Operator Orientation			Sit Down		Sit Down		Sit Down	
DIMENSIONS	8	Tire Type	Front & Rear		Cushion		Cushion		Cushion	
	9	Wheels	Number- front/rear (x=driven)		2x / 2		2x / 2		2x / 2	
	10	Mast	Maximum fork height	in (mm)	130 (3,300)		130 (3,300)		130 (3,300)	
	11		Mast lowered (OHL)	in (mm)	83.1 (2,115)		83.1 (2,115)		83.1 (2,115)	
	12		Mast extended with LBR	in (mm)	179.3 (4,555)		179.3 (4,555)		179.3 (4,555)	
	13		Standard freelif	in (mm)	4.1 (105)		4.1 (105)		7.1 (180)	
	14	Forks	Thickness & Width	in (mm)	1.5 x 4 (40 x 100)		1.5 x 4 (40 x 100)		2 x 5 (50 x 125)	
	15		Length (STD)	in (mm)	42.1 (1,070)		42.1 (1,070)		42.1 (1070)	
	16	Tilt Angle	Standard mast - fwd/back	deg	5/10		5/10		5/10	
	17	Overall Dimensions	Length (to face of forks)	in (mm)	86.2 (2,190)		90.7 (2,305)		94.1 (2390),	
	18		Width (standard tires)	in (mm)	42.1 (1,070)		42.1 (1,070)		43.3 (1,100)	
	19		Height - top of OHG	in (mm)	87.4 (2,220)		87.4 (2,220)		87.4 (2,220)	
	20		Height - top of LBR	in (mm)	48.0 (1,220)		48.0 (1,220)		48.0 (1,220)	
	21		Width - standard carriage	in (mm)	36.2 (920)		36.2 (920)		40.2 (1,020)	
22	Grade Clearance	Ramp breakover angle	%	31		27		27		
23		Departure angle	%	33		31		28		
24	Overhang	Front	in (mm)	16.7 (425)		16.7 (425)		17.7 (450)		
25		Rear	in (mm)	19.9 (505)		20.5 (520)		22.8 (580)		
26	Turning Radius	Minimum outside	in (mm)	73.8 (1,875)		78.9 (2,005)		81.1 (2,060)		
27	Minimum Right Angle Stack	Add load length & clearance	in (mm)	90.5 (2,300)		95.6 (2,430)		98.8 (2,510)		
PERFORMANCE	28	Speeds Maximum	Travel - loaded (36v / 48v)	mph (km/h)	9.3 (15.0)	9.3 (15.0)	9.3 (15.0)	9.3 (15.0)	8.1 (13.0)	8.7 (14.0)
	29		Travel - unloaded (36v / 48v)	mph (km/h)	10.6 (17.0)	10.6 (17.0)	10.6 (17.0)	10.6 (17.0)	9.3 (15.0)	9.3 (15.0)
	30		Lift - loaded (36v / 48v)	fpm (mm/sec)	63.0 (320)	67.9 (345)	63.0 (320)	67.9 (345)	50.2 (255)	55.1 (280)
	31		Lift - unloaded (36v / 48v)	fpm (mm/sec)	108.3 (550)	119.1 (605)	108.3 (550)	119.1 (605)	92.5 (470)	101.4 (515)
	32		Lowering - loaded	fpm (mm/sec)	98.5 (500)		98.5 (500)		98.5 (500)	
	33		Lowering - unloaded	fpm (mm/sec)	97.5 (495)		97.5 (495)		97.5 (495)	
	34	Drawbar Pull Maximum	Full load (36v / 48v)Front/Rear	lb (N)	3410 (15,170)	3482 (15,490)	3410 (15,170)	3,482 (15,490)	3924 (17,455)	4007 (17,825)
35	Gradeability Maximum	Full load (36v / 48v)Front/Rear	%	20.0	20.5	20.0	20.5	19.5	20.0	
WEIGHT	36	Truck Weight*	Empty, minus battery	lbs (kg)	8,090 (3,670)		8,820 (4,000)		10,550 (4,785)	
	37	Weight Distribution	Full load front/rear - minus battery	lbs (kg)	12,165 / 1,785 (5,518 / 810)		12,100 / 1,720 (5,490 / 780)		14,345 / 22,05 (6,505 / 1,000)	
	38		No load front/rear - minus battery	lbs (kg)	3,060 / 5,890 (1,389 / 2,672)		3295 / 5525 (1,495 / 2,505)		3,660 / 6,890 (1,660 / 3125)	
CHASSIS & WHEELS	40	Tire Size	Front	in	21 x 7 x 15		21 x 7 x 15		22 x 8 x 16	
	41		Rear	in	16-1/4 x 6 x 11-1/4		16-1/4 x 6 x 11-1/4		16-1/4 x 6 x 11-1/4	
	42	Wheelbase		in (mm)	49.6 (1,260)		53.5 (1,360)		53.5 (1,360)	
	43	Tread - Center of Tire	Front/rear (standard tires)	in (mm)	35.0 / 35.0 (890 / 890)		35.0 / 35.0 (890 / 890)		35.2 / 35.0 (895 / 890)	
	44	Headroom	SIP to bottom of OHG	in (mm)	36.1 (918)		36.1 (918)		36.1 (918)	
	45	Counterweight Height		in (mm)	43.5 (1,105)		43.5 (1,105)		43.5 (1,105)	
	46	Step Height		in (mm)	18.5 (470)		18.5 (470)		18.5 (470)	
	47	Ground Clearance	Under Mast	in (mm)	3.1 (80)		3.1 (80)		3.1 (80)	
	48		Under power unit	in (mm)	3.9 (100)		3.9 (100)		3.7 (95)	
	49		Under frame, center of wheelbase	in (mm)	3.7 (95)		3.7 (95)		3.5 (90)	
50	Service Brake	Type		Hyd / Elec		Hyd / Elec		Hyd / Elec		
51	Parking Brake	Type		Pedal		Pedal		Pedal		
52	Steering	On-demand		Hydraulic		Hydraulic		Hydraulic		
DRIVE LINE	53	Traction Motor	Type		AC Induction		AC Induction		AC Induction	
	54		Control Type		MOS-INV		MOS-INV		MOS-INV	
	55		Rating	kW/h	9.0	12.0	9.0	12.0	9.0	12.0
	56	Pump Motor	Type		AC Induction		AC Induction		AC Induction	
57		Rating	kW/5 min	12.8	13.7	12.8	13.7	12.8	13.7	
BATTERY	58	Required Battery Size	Minimum - W x L		37.62 x 22.06 (955 x 560)		37.62 x 28.56 (955 x 725)		37.62 x 28.56 (955 x 725)	
	59		Minimum - H		21.37 (540)		21.37 (540)		21.37 (540)	
	60		Maximum - W x L		39.06 x 30.47 (990 x 774)		39.06 x 34.12 (990 x 865)		39.06 x 34.12 (990 x 865)	
	61		Maximum - H		22.81 (575)		22.81 (575)		22.81 (575)	
	62		Capacity - Minimum (36v / 48v)		825	600	1050	750	1050	750
	63		Capacity - Maximum (36v / 48v)		1,320	990	1,400	1,000	1400	1000
	64	Weight	Minimum / Maximum	lbs (kg)	2,491 / 3,240 (1,130 / 1,470)		3,075 / 3,527 (1,395 / 1,600)		3,075 / 3,527 (1,395 / 1,600)	
	65	Lead Length	Position B	in (mm)	18 (455)		18 (455)		18 (455)	
	66	Connector		Type	SB-350 Gray		SB-350 Gray		SB-350 Gray	

**MAIN TRUCK SPECIFICATIONS**

CHARACTERISTICS	1	Manufacturer		UniCarriers					
	2	Model	Model Designation	BXC65N		BXC80N			
	3		Long Model Code	MCTG1B2L33S		MCTG1B2L35S			
	4	Rated Load Capacity		lbs (kg)		6,500 (2,900)		8,000 (3,500)	
	5	Load Center	Distance	in (mm)		24 (600)		24 (600)	
	6	Power Type	Electric	voltage		36v / 48v		36v / 48v	
	7	Operator Orientation				Sit Down		Sit Down	
DIMENSIONS	8	Tire Type	Front & Rear			Cushion		Cushion	
	9	Wheels	Number- front/rear (x=driven)			2x / 2		2x / 2	
	10	Mast	Maximum fork height	in (mm)		138 (3500)		138 (3500)	
	11		Mast lowered (OHL)	in (mm)		93.3 (2370)		93.3 (2370)	
	12		Mast extended with LBR	in (mm)		187.2 (4755)		187.2 (4755)	
	13		Standard freelif	in (mm)		10.6 (270)		10.6 (270)	
	14	Forks	Thickness & Width	in (mm)		2 x 5 (50x125)		2 x 5 (50x125)	
	15		Length (STD)	in (mm)		42.1 (1070)		42.1 (1070)	
	16	Tilt Angle	Standard mast - fwd/back	deg		5/10		5/10	
	17	Overall Dimensions	Length (to face of forks)	in (mm)		96.5 (2450)		100.2 (2545)	
	18		Width (standard tires)	in (mm)		43.3 (1100)		43.3 (1100)	
	19		Height - top of OHG	in (mm)		87.4 (2220)		87.4 (2220)	
	20		Height - top of LBR	in (mm)		48.0 (1220)		48.0 (1220)	
	21		Width - standard carriage	in (mm)		40.2 (1020)		40.2 (1020)	
PERFORMANCE	22	Grade Clearance	Ramp breakover angle	%		27		23	
	23		Departure angle	%		26		33	
	24	Overhang	Front	in (mm)		17.9 (455)		17.9 (455)	
	25		Rear	in (mm)		25 (634)		19.3 (490)	
	26	Turning Radius	Minimum outside	in (mm)		83.1 (2110)		88.4 (2245)	
	27	Minimum Right Angle Stack	Add load length & clearance	in (mm)		101 (2565)		106.3 (2700)	
	28	Speeds Maximum	Travel - loaded (36v / 48v)	mph (km/h)		7.4 (12.0)		8.1 (13.0)	
	29		Travel - unloaded (36v / 48v)	mph (km/h)		9.3 (15.0)		9.3 (15.0)	
	30		Lift - loaded (36v / 48v)	fpm (mm/sec)		43.3 (220)		46.3 (235)	
	31		Lift - unloaded (36v / 48v)	fpm (mm/sec)		77.8 (395)		84.7 (430)	
32		Lowering - loaded	fpm (mm/sec)		98.5 (500)		98.5 (500)		
33		Lowering - unloaded	fpm (mm/sec)		97.5 (495)		97.5 (495)		
34	Drawbar Pull Maximum	Full load (36v / 48v)Front/Rear	lb (N)		3924 (17455)		4007 (17825)		
35	Gradeability Maximum	Full load (36v / 48v)Front/Rear	%		16.5		16.5		
WEIGHT	36	Truck Weight*	Empty, minus battery	lbs (kg)		11395 (5165)		12380 (5615)	
	37	Weight Distribution	Full load front/rear - minus battery	lbs (kg)		15280 / 2615 (6930 / 1185)		18000 / 2380 (8165 / 1080)	
	38		No load front/rear - minus battery	lbs (kg)		3690 / 7705 (1675 / 3495)		4675 / 7705 (2120 / 3495)	
CHASSIS & WHEELS	40	Tire Size	Front	in		22 x 8 x 16		22 x 8 x 16	
	41		Rear	in		16-1/4 x 6 x 11-1/4		16-1/4 x 6 x 11-1/4	
	42	Wheelbase		in (mm)		53.5 (1360)		63.0 (1600)	
	43	Tread - Center of Tire	Front/rear (standard tires)	in (mm)		35.2 / 35.0 (895 / 890)		35.2 / 35.0 (895 / 890)	
	44	Headroom	SIP to bottom of OHG	in (mm)		36.1 (918)		36.1 (918)	
	45	Counterweight Height		in (mm)		43.5 (1105)		43.5 (1105)	
	46	Step Height		in (mm)		18.5 (470)		18.5 (470)	
	47	Ground Clearance	Under Mast	in (mm)		3.1 (80)		3.1 (80)	
	48		Under power unit	in (mm)		3.7 (95)		3.7 (95)	
	49		Under frame, center of wheelbase	in (mm)		3.5 (90)		3.5 (90)	
50	Service Brake	Type			Hyd / Elec		Hyd / Elec		
51	Parking Brake	Type			Pedal		Pedal		
52	Steering	On-demand			Hydraulic		Hydraulic		
DRIVE LINE	53	Traction Motor	Type			AC Induction		AC Induction	
	54		Control Type			MOS-INV		MOS-INV	
	55		Rating	kW/h		9.0   12.0		9.0   12.0	
	56	Pump Motor	Type			AC Induction		AC Induction	
57		Rating	kW/5 min		12.8   13.7		12.8   13.7		
BATTERY	58	Required Battery Size	Minimum - W x L			37.62 x 28.56 (955 x 725)		37.62 x 28.56 (955 x 725)	
	59		Minimum - H			21.37 (540)		21.37 (540)	
	60		Maximum - W x L			39.06 x 34.12 (990 x 865)		39.06 x 34.12 (990 x 865)	
	61		Maximum - H			22.81 (575)		22.81 (575)	
	62		Capacity - Minimum (36v / 48v)			1050   750		1200   1000	
	63		Capacity - Maximum (36v / 48v)			1400   1000		1400   1200	
	64	Weight	Minimum / Maximum	lbs (kg)		3075 / 3527 (1395 / 1600)		3351 / 3527 (1520 / 1600)	
	65	Lead Length	Position B	in (mm)		18 (455)		18 (455)	
66	Connector		Type		SB-350 Gray		SB-350 Gray		

**MAST SPECIFICATIONS AND RATED CAPACITIES**

Mast Name		Maximum Fork Height in (mm)	Overall Height Fully Extended		Free Lift*		Overall Height Lowered in (mm)	Tilt Angle Forward/Backward degrees	Rated Capacity 24 in (600 mm) Load Center	
			Without LBR	With LBR	Without LBR	With LBR			BXC30N	BXC35N
			in (mm)	in (mm)	in (mm)	in (mm)			lb (kg)	lb (kg)
TWO STAGE (Wide view 2W)	2W270	106 (2,700)	130.3 (3,310)	155.7 (3,955)	3.5 (95)	3.5 (95)	71.1 (1,810)	5/10	3,000 (1,350)	3,500 (1,600)
	2W300	118 (3,000)	142.1 (3,610)	167.5 (4,255)	3.5 (95)	3.5 (95)	77.0 (1,960)	5/10	3,000 (1,350)	3,500 (1,600)
	2W330	130 (3,300)	153.9 (3,910)	179.3 (4,555)	3.5 (95)	3.5 (95)	82.9 (2,110)	5/10	3,000 (1,350)	3,500 (1,600)
	2W350	138 (3,500)	161.8 (4,110)	187.2 (4,755)	3.5 (95)	3.5 (95)	88.2 (2,240)	5/10	3,000 (1,350)	3,500 (1,600)
	2W370	146 (3,700)	169.7 (4,310)	195.1 (4,955)	3.5 (95)	3.5 (95)	93.1 (2,365)	5/10	3,000 (1,350)	3,500 (1,600)
	2W400	157 (4,000)	181.5 (4,610)	206.9 (5,255)	3.5 (95)	3.5 (95)	100.6 (2,555)	5/10	3,000 (1,350)	3,200 (1,450)
	2W450	177 (4,500)	201.2 (5,110)	226.6 (5,755)	3.5 (95)	3.5 (95)	110.4 (2,805)	5/5	2,850 (1,300)	3,000 (1,350)
2W500	197 (5,000)	220.9 (5,610)	246.3 (6,255)	3.5 (95)	3.5 (95)	120.3 (3,060)	5/5	2,850 (1,300)	2,600 (1,200)	
TWO STAGE (Full free 2F)	2F300	118 (3,000)	143.7 (3,650)	167.5 (4,255)	53.0 (1,345)	29.1 (740)	77.0 (1,960)	5/10	3,000 (1,350)	3,500 (1,600)
	2F330	130 (3,300)	155.5 (3,950)	179.3 (4,555)	58.9 (1,495)	35.0 (890)	82.9 (2,110)	5/10	3,000 (1,350)	3,500 (1,600)
	2F350	138 (3,500)	163.4 (4,150)	187.2 (4,755)	64.2 (1,630)	40.4 (1,025)	88.2 (2,240)	5/10	3,000 (1,350)	3,500 (1,600)
	2F370	146 (3,700)	171.3 (4,350)	195.1 (4,955)	69.1 (1,755)	45.3 (1,150)	93.1 (2,365)	5/10	3,000 (1,350)	3,500 (1,600)
	2F400	157 (4,000)	183.1 (4,650)	206.9 (5,255)	76.6 (1,945)	52.8 (1,340)	100.6 (2,555)	5/10	3,000 (1,350)	3,200 (1,450)
THREE STAGE (Full free 3F)	3F385	152 (3,850)	175.8 (4,465)	201.0 (5,105)	48.4 (1,225)	23.2 (590)	71.1 (1,810)	5/10	3,000 (1,350)	3,500 (1,600)
	3F430	169 (4,300)	193.5 (4,915)	218.7 (5,555)	54.3 (1,375)	29.1 (740)	77.0 (1,960)	5/10	2,800 (1,250)	3,300 (1,500)
	3F475	187 (4,750)	211.2 (5,365)	236.4 (6,005)	60.2 (1,525)	35.0 (890)	82.9 (2,110)	5/10	2,600 (1,200)	2,700 (1,250)
	3F515	203 (5,150)	227.2 (5,770)	252.4 (6,410)	65.6 (1,665)	40.4 (1,025)	88.2 (2,240)	5/10	2,400 (1,100)	2,500 (1,150)
	3F550	217 (5,500)	240.7 (6,115)	265.9 (6,755)	70.5 (1,790)	45.3 (1,150)	93.1 (2,365)	5/10	2,200 (1,000)	2,300 (1,050)
	3F600	236 (6,000)	260.4 (6,615)	285.6 (7,255)	78.0 (1,980)	52.8 (1,340)	100.6 (2,555)	5/10	1,700 (750)	1,800 (800)
THREE STAGE (OPTIVIEW® 3V)	3V360	142 (3,600)	165.2 (4,195)	191.1 (4,855)	49.2 (1,250)	23.2 (590)	71.1 (1,810)	5/10	2,850 (1,300)	3,350 (1,500)
	3V405	159 (4,050)	182.9 (4,645)	208.9 (5,305)	55.1 (1,400)	29.1 (740)	77.0 (1,960)	5/10	2,750 (1,250)	3,200 (1,450)
	3V450	177 (4,500)	200.6 (5,095)	226.6 (5,755)	61.0 (1,545)	35.0 (890)	82.9 (2,110)	5/10	2,650 (1,200)	2,900 (1,300)
	3V490	193 (4,900)	216.3 (5,495)	242.3 (6,155)	66.3 (1,680)	40.4 (1,025)	88.2 (2,240)	5/10	2,500 (1,150)	2,650 (1,200)
	3V525	207 (5,250)	230.1 (5,845)	256.1 (6,505)	71.3 (1,810)	45.3 (1,150)	93.1 (2,365)	5/10	2,350 (1,050)	2,450 (1,100)
	3V575	226 (5,750)	249.8 (6,345)	275.8 (7,005)	78.7 (1,995)	52.8 (1,340)	100.6 (2,555)	5/10	1,950 (900)	2,050 (950)

Mast Name		Maximum Fork Height in (mm)	Overall Height Fully Extended		Free Lift*		Overall Height Lowered in (mm)	Tilt Angle Forward/Backward degrees	Rated Capacity 24 in (600 mm) Load Center	
			Without LBR	With LBR	Without LBR	With LBR			BXC40(R)N	BXC50(L/R)N
			in (mm)	in (mm)	in (mm)	in (mm)			lb (kg)	lb (kg)
TWO STAGE (Wide view 2W)	2W270	106 (2,700)	130.1 (3,305)	155.7 (3,955)	4.1 (100)	4.1 (100)	71.3 (1,815)	5/10	4,000 (1,800)	5,000 (2,250)
	2W300	118 (3,000)	141.9 (3,605)	167.5 (4,255)	4.1 (100)	4.1 (100)	77.2 (1,965)	5/10	4,000 (1,800)	5,000 (2,250)
	2W330	130 (3,300)	153.7 (3,905)	179.3 (4,555)	4.1 (100)	4.1 (100)	83.1 (2,115)	5/10	4,000 (1,800)	5,000 (2,250)
	2W350	138 (3,500)	161.6 (4,105)	187.2 (4,755)	4.1 (100)	4.1 (100)	88.4 (2,245)	5/10	4,000 (1,800)	5,000 (2,250)
	2W370	146 (3,700)	169.5 (4,305)	195.1 (4,955)	4.1 (100)	4.1 (100)	93.3 (2,370)	5/10	4,000 (1,800)	5,000 (2,250)
	2W400	157 (4,000)	181.3 (4,605)	206.9 (5,255)	4.1 (100)	4.1 (100)	100.8 (2,560)	5/10	4,000 (1,800)	5,000 (2,250)
	2W450	177 (4,500)	201.0 (5,105)	226.6 (5,755)	4.1 (100)	4.1 (100)	110.6 (2,810)	5/5	3,800 (1,700)	4,850 (2,200)
2W500	197 (5,000)	220.7 (5,605)	246.3 (6,255)	4.1 (100)	4.1 (100)	120.5 (3,065)	5/5	3,600 (1,650)	3,900 (1,750)	
TWO STAGE (Full free 2F)	2F300	118 (3,000)	143.5 (3,645)	167.5 (4,255)	53.3 (1,355)	53.3 (1,355)	77.2 (1,965)	5/10	4,000 (1,800)	5,000 (2,250)
	2F330	130 (3,300)	155.3 (3,945)	179.3 (4,555)	59.3 (1,505)	59.3 (1,505)	83.1 (2,115)	5/10	4,000 (1,800)	5,000 (2,250)
	2F350	138 (3,500)	163.2 (4,145)	187.2 (4,755)	64.6 (1,640)	64.6 (1,640)	88.4 (2,245)	5/10	4,000 (1,800)	5,000 (2,250)
	2F370	146 (3,700)	171.1 (4,345)	195.1 (4,955)	69.5 (1,765)	69.5 (1,765)	93.3 (2,370)	5/10	4,000 (1,800)	5,000 (2,250)
	2F400	157 (4,000)	182.9 (4,645)	206.9 (5,255)	77.0 (1,955)	77.0 (1,955)	100.8 (2,560)	5/10	4,000 (1,800)	5,000 (2,250)
THREE STAGE (Full free 3F)	3F385	152 (3,850)	176.0 (4,470)	201.0 (5,105)	48.4 (1,225)	48.4 (1,225)	71.3 (1,815)	5/5	4,000 (1,800)	5,000 (2,250)
	3F430	169 (4,300)	193.7 (4,920)	218.7 (5,555)	54.3 (1,375)	54.3 (1,375)	77.2 (1,965)	5/5	3,900 (1,750)	4,850 (2,200)
	3F475	187 (4,750)	211.4 (5,370)	236.4 (6,005)	60.2 (1,525)	60.2 (1,525)	83.1 (2,115)	5/5	3,700 (1,700)	4,700 (2,150)
	3F515	203 (5,150)	227.4 (5,775)	252.4 (6,410)	65.6 (1,665)	65.6 (1,665)	88.4 (2,245)	5/5	3,300 (1,500)	4,250 (1,950)
	3F550	217 (5,500)	240.9 (6,120)	265.9 (6,755)	70.5 (1,790)	70.5 (1,790)	93.3 (2,370)	5/5	3,100 (1,400)	3,700 (1,700)
	3F600	236 (6,000)	260.6 (6,620)	285.6 (7,255)	78.0 (1,980)	78.0 (1,980)	100.8 (2,560)	5/5	2,300 (1,050)	2,900 (1,300)
THREE STAGE (OPTIVIEW® 3V)	3V360	142 (3,600)	165.2 (4,195)	191.1 (4,855)	49.4 (1,255)	49.4 (1,255)	71.3 (1,815)	5/5	3,950 (1,750)	4,900 (2,250)
	3V405	159 (4,050)	182.9 (4,645)	208.9 (5,305)	55.3 (1,405)	55.3 (1,405)	77.2 (1,965)	5/5	3,800 (1,700)	4,750 (2,150)
	3V450	177 (4,500)	200.6 (5,095)	226.6 (5,755)	61.2 (1,555)	61.2 (1,555)	83.1 (2,115)	5/5	3,650 (1,650)	4,550 (2,100)
	3V490	193 (4,900)	216.3 (5,495)	242.3 (6,155)	66.5 (1,690)	66.5 (1,690)	88.4 (2,245)	5/5	3,500 (1,600)	4,500 (2,050)
	3V525	207 (5,250)	230.1 (5,845)	256.1 (6,505)	71.5 (1,815)	71.5 (1,815)	93.3 (2,370)	5/5	3,250 (1,500)	4,100 (1,850)
	3V575	226 (5,750)	249.8 (6,345)	275.8 (7,005)	78.9 (2,005)	78.9 (2,005)	100.8 (2,560)	5/5	2,700 (1,200)	3,050 (1,400)

**MAST SPECIFICATIONS AND RATED CAPACITIES**

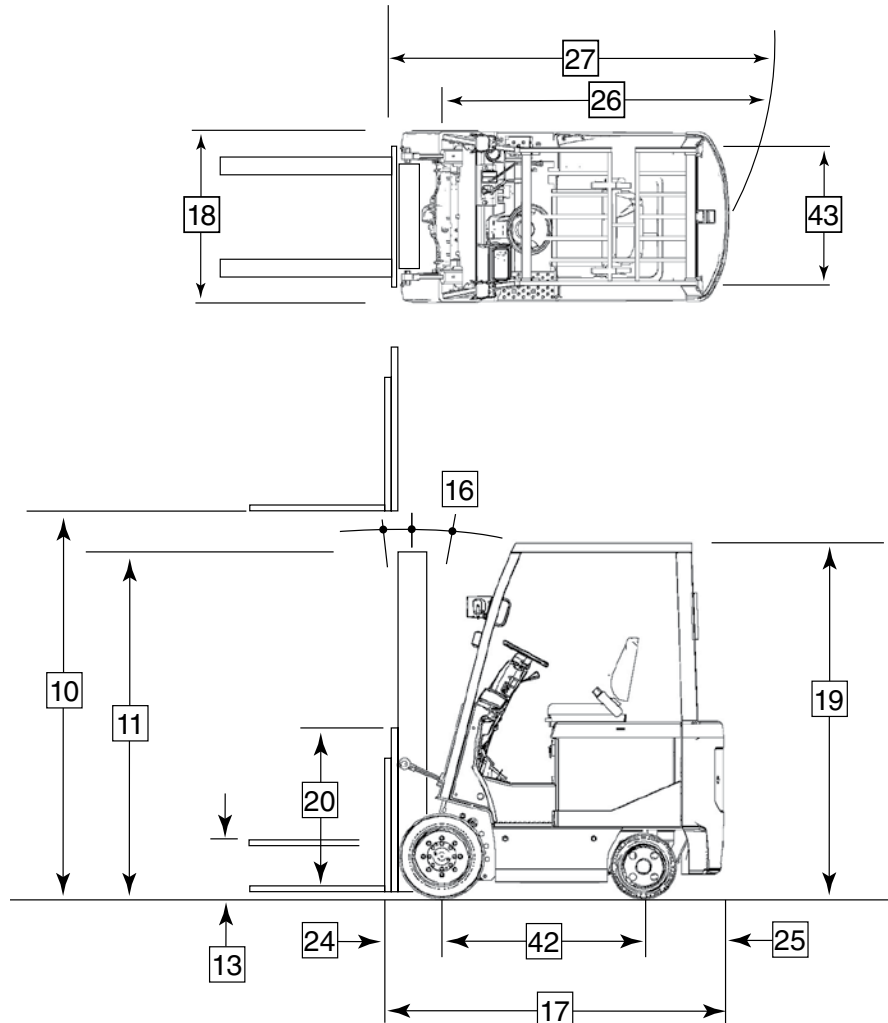
Mast Name		Maximum Fork Height in (mm)	Overall Height Fully Extended		Free Lift*		Overall Height Lowered in (mm)	Tilt Angle Forward/Backward degrees	Rated Capacity at 24 in (600 mm) Load Center
			Without LBR	With LBR	Without LBR	With LBR			BXC60N
			in (mm)	in (mm)	in (mm)	in (mm)			lb (kg)
TWO STAGE (Wide view 2H)	2H270	106 (2,700)	132.5 (3,365)	155.7 (3,955)	7.1 (180)	7.1 (180)	71.3 (1,815)	5/10	6,000 (2,700)
	2H300	118 (3,000)	144.3 (3,665)	167.5 (4,255)	7.1 (180)	7.1 (180)	77.2 (1,965)	5/10	6,000 (2,700)
	2H330	130 (3,300)	156.1 (3,965)	179.3 (4,555)	7.1 (180)	7.1 (180)	83.1 (2,115)	5/10	6,000 (2,700)
	2H350	138 (3,500)	164.0 (4,165)	187.2 (4,755)	7.1 (180)	7.1 (180)	88.4 (2,245)	5/10	6,000 (2,700)
	2H370	146 (3,700)	171.9 (4,365)	195.1 (4,955)	10.6 (265)	10.6 (265)	93.3 (2,370)	5/10	6,000 (2,700)
	2H400	157 (4,000)	183.7 (4,665)	206.9 (5,255)	10.6 (265)	10.6 (265)	100.8 (2,560)	5/10	6,000 (2,700)
	2H450	177 (4,500)	203.3 (5,165)	226.6 (5,755)	10.6 (265)	10.6 (265)	110.6 (2,810)	5/5	5,750 (2,600)
	2H500	197 (5,000)	223.0 (5,665)	246.3 (6,255)	10.6 (265)	10.6 (265)	120.5 (3,065)	5/5	5,500 (2,500)
TWO STAGE (Full free 2F)	2F300	118 (3,000)	144.3 (3,665)	167.5 (4,255)	53.0 (1,345)	29.7 (755)	77.2 (1,965)	5/10	6,000 (2,700)
	2F330	130 (3,300)	156.1 (3,965)	179.3 (4,555)	58.9 (1,495)	35.6 (905)	83.1 (2,115)	5/10	6,000 (2,700)
	2F350	138 (3,500)	164.0 (4,165)	187.2 (4,755)	64.2 (1,630)	40.9 (1,040)	88.4 (2,245)	5/10	6,000 (2,700)
	2F370	146 (3,700)	171.9 (4,365)	195.1 (4,955)	69.1 (1,755)	45.9 (1,165)	93.3 (2,370)	5/10	6,000 (2,700)
	2F400	157 (4,000)	183.7 (4,665)	206.9 (5,255)	76.6 (1,945)	53.3 (1,355)	100.8 (2,560)	5/10	6,000 (2,700)
THREE STAGE (Full free 3F)	3F385	152 (3,850)	177.8 (4,515)	201.0 (5,105)	53.0 (1,345)	29.7 (755)	77.2 (1,965)	5/5	6,000 (2,700)
	3F430	169 (4,300)	195.5 (4,965)	218.7 (5,555)	58.9 (1,495)	35.6 (905)	83.1 (2,115)	5/5	5,700 (2,600)
	3F475	187 (4,750)	213.2 (5,415)	236.4 (6,005)	64.2 (1,630)	40.9 (1,040)	88.4 (2,245)	5/5	5,550 (2,500)
	3F515	203 (5,150)	229.1 (5,820)	252.4 (6,410)	69.1 (1,755)	45.9 (1,165)	93.3 (2,370)	5/5	5,200 (2,350)
	3F550	217 (5,500)	242.7 (6,165)	265.9 (6,755)	76.6 (1,945)	53.3 (1,355)	100.8 (2,560)	5/5	4,850 (2,200)
	3F600	236 (6,000)	262.4 (6,665)	285.6 (7,255)	86.4 (2,195)	63.2 (1,605)	110.6 (2,810)	5/5	3,300 (1,500)
THREE STAGE (OPTVIEW® 3V)	3V385	152 (3,850)	177.8 (4,515)	201.0 (5,105)	53.0 (1,345)	29.7 (755)	77.2 (1,965)	5/5	5,650 (2,550)
	3V430	169 (4,300)	195.5 (4,965)	218.7 (5,555)	58.9 (1,495)	35.6 (905)	83.1 (2,115)	5/5	5,450 (2,450)
	3V470	185 (4,700)	211.2 (5,365)	234.4 (5,955)	64.2 (1,630)	40.9 (1,040)	88.4 (2,245)	5/5	5,300 (2,400)
	3V505	199 (5,050)	225.0 (5,715)	248.2 (6,305)	69.1 (1,755)	45.9 (1,165)	93.3 (2,370)	5/5	5,000 (2,250)
	3V555	219 (5,550)	244.7 (6,215)	267.9 (6,805)	76.6 (1,945)	53.3 (1,355)	100.8 (2,560)	5/5	4,500 (2,050)

Mast Name		Maximum Fork Height in (mm)	Overall Height Fully Extended		Free Lift*		Overall Height Lowered in (mm)	Tilt Angle Forward/Backward degrees	Rated Capacity at 24 in (600 mm) Load Center
			Without LBR	With LBR	Without LBR	With LBR			BXC65N
			in (mm)	in (mm)	in (mm)	in (mm)			lb (kg)
TWO STAGE (Wide view 2H)	2H280	110 (2,800)	138.4 (3,515)	159.6 (4,055)	7.1 (180)	7.1 (180)	77.2 (1,965)	5/10	6,500 (2,950)
	2H310	122 (3,100)	150.2 (3,815)	171.5 (4,355)	7.1 (180)	7.1 (180)	83.1 (2,115)	5/10	6,500 (2,950)
	2H350	138 (3,500)	165.9 (4,215)	187.2 (4,755)	10.6 (265)	10.6 (265)	93.3 (2,370)	5/10	6,500 (2,950)
	2H380	150 (3,800)	177.8 (4,515)	199.0 (5,055)	10.6 (265)	10.6 (265)	100.8 (2,560)	5/10	6,500 (2,950)
	2H430	169 (4,300)	197.4 (5,015)	218.7 (5,555)	10.6 (265)	10.6 (265)	110.6 (2,810)	5/10	6,500 (2,950)
TWO STAGE (Full free 2F)	2F280	118 (3,000)	138.4 (3,515)	159.6 (4,055)	51.0 (1,295)	29.7 (755)	77.2 (1,965)	5/10	6,500 (2,950)
	2F310	130 (3,300)	150.2 (3,815)	171.5 (4,355)	56.9 (1,445)	35.6 (905)	83.1 (2,115)	5/10	6,500 (2,950)
	2F350	138 (3,500)	165.9 (4,215)	187.2 (4,755)	67.1 (1,700)	45.9 (1,165)	93.3 (2,370)	5/10	6,500 (2,950)
	2F380	146 (3,700)	177.8 (4,515)	199.0 (5,055)	74.6 (1,895)	53.3 (1,355)	100.8 (2,560)	5/10	6,500 (2,950)
THREE STAGE (Full free 3F)	3F400	157 (4,000)	177.8 (4,515)	201.0 (5,105)	51.0 (1,295)	29.7 (755)	77.2 (1,965)	5/5	6,500 (2,950)
	3F445	175 (4,450)	195.5 (4,965)	218.7 (5,555)	56.9 (1,445)	35.6 (905)	83.1 (2,115)	5/5	6,500 (2,950)
	3F485	191 (4,850)	213.2 (5,415)	236.4 (6,005)	62.2 (1,580)	40.9 (1,040)	88.4 (2,245)	5/5	6,450 (2,950)
	3F520	205 (5,200)	229.1 (5,820)	252.4 (6,410)	67.1 (1,700)	45.9 (1,165)	93.3 (2,370)	5/5	6,300 (2,850)
	3F570	224 (5,700)	242.7 (6,165)	265.9 (6,755)	74.6 (1,895)	53.3 (1,355)	100.8 (2,560)	5/5	3,620 (1,650)
THREE STAGE (OPTVIEW® 3V)	3V385	152 (3,850)	178.5 (4,535)	201.0 (5,105)	52.2 (1,325)	29.7 (755)	77.2 (1,965)	5/5	6,500 (2,950)
	3V430	169 (4,300)	196.3 (4,985)	218.7 (5,555)	58.1 (1,475)	35.6 (905)	83.1 (2,115)	5/5	6,400 (2,900)
	3V470	185 (4,700)	212.0 (5,385)	234.4 (5,955)	63.4 (1,610)	40.9 (1,040)	88.4 (2,245)	5/5	6,200 (2,800)
	3V505	199 (5,050)	225.8 (5,735)	248.2 (6,305)	68.3 (1,735)	45.9 (1,165)	93.3 (2,370)	5/5	6,050 (2,750)
	3V555	219 (5,550)	245.5 (6,235)	267.9 (6,805)	75.8 (1,925)	53.3 (1,355)	100.8 (2,560)	5/5	5,800 (2,650)

## MAST SPECIFICATIONS AND RATED CAPACITIES

Mast Name		Maximum Fork Height in (mm)	Overall Height Fully Extended		Free Lift*		Overall Height Lowered in (mm)	Tilt Angle Forward/Backward degrees	Rated Capacity at 24 in (600 mm) Load Center BXC80N lb (kg)
			Without LBR	With LBR	Without LBR	With LBR			
			in (mm)	in (mm)	in (mm)	in (mm)			
TWO STAGE STAGE (Wide view 2H)	2H280	110 (2,800)	138.4 (3,515)	159.6 (4,055)	7.1 (180)	7.1 (180)	77.2 (1,965)	5/10	8,000 (3,500)
	2H310	122 (3,100)	150.2 (3,815)	171.5 (4,355)	7.1 (180)	7.1 (180)	83.1 (2,115)	5/10	8,000 (3,500)
	2H350	138 (3,500)	165.9 (4,215)	187.2 (4,755)	10.6 (265)	10.6 (265)	93.3 (2,370)	5/10	8,000 (3,500)
	2H380	150 (3,800)	177.8 (4,515)	199.0 (5,055)	10.6 (265)	10.6 (265)	100.8 (2,560)	5/10	8,000 (3,500)
	2H430	169 (4,300)	197.4 (5,015)	218.7 (5,555)	10.6 (265)	10.6 (265)	110.6 (2,810)	5/10	8,000 (3,500)
TWO STAGE STAGE (Full free)	2F280	110 (2,800)	138.4 (3,515)	159.6 (4,055)	51.0 (1,295)	29.7 (755)	77.2 (1,965)	5/10	8,000 (3,500)
	2F310	122 (3,100)	150.2 (3,815)	171.5 (4,355)	56.9 (1,445)	35.6 (905)	83.1 (2,115)	5/10	8,000 (3,500)
	2F350	138 (3,500)	165.9 (4,215)	187.2 (4,755)	67.1 (1,700)	45.9 (1,165)	93.3 (2,370)	5/10	8,000 (3,500)
	2F380	150 (3,800)	177.8 (4,515)	199.0 (5,055)	74.6 (1,895)	53.3 (1,355)	100.8 (2,560)	5/10	8,000 (3,500)
THREE STAGE STAGE (Full free 3F)	3F400	157 (4,000)	185.6 (4,715)	206.9 (5,255)	51.0 (1,295)	29.7 (755)	77.2 (1,965)	5/5	8,000 (3,500)
	3F445	175 (4,450)	203.3 (5,165)	224.6 (5,705)	56.9 (1,445)	35.6 (905)	83.1 (2,115)	5/5	7,700 (3,450)
	3F485	191 (4,850)	219.3 (5,570)	240.6 (6,110)	62.2 (1,580)	40.9 (1,040)	88.4 (2,245)	5/5	7,550 (3,400)
	3F520	205 (5,200)	232.9 (5,915)	254.1 (6,455)	67.1 (1,700)	45.9 (1,165)	93.3 (2,370)	5/5	7,200 (3,250)
	3F570	224 (5,700)	252.6 (6,415)	273.8 (6,955)	74.6 (1,895)	53.3 (1,355)	100.8 (2,560)	5/5	6,850 (3,100)
THREE STAGE STAGE (OPTIVIEW® 3V)	3V385	152 (3,850)	178.5 (4,535)	201.0 (5,105)	52.2 (1,325)	29.7 (755)	77.2 (1,965)	5/5	7,650 (3,450)
	3V430	169 (4,300)	196.3 (4,985)	218.7 (5,555)	58.1 (1,475)	35.6 (905)	83.1 (2,115)	5/5	7,450 (3,350)
	3V470	185 (4,700)	212.0 (5,385)	234.4 (5,955)	63.4 (1,610)	40.9 (1,040)	88.4 (2,245)	5/5	7,300 (3,300)
	3V505	199 (5,050)	225.8 (5,735)	248.2 (6,305)	68.3 (1,735)	45.9 (1,165)	93.3 (2,370)	5/5	7,000 (3,150)
	3V555	219 (5,550)	245.5 (6,235)	267.9 (6,805)	75.8 (1,925)	53.3 (1,355)	100.8 (2,560)	5/5	6,500 (2,950)

## DIMENSIONS



\*Without LBR

## STANDARD EQUIPMENT

### Vehicle Management

- AC TECH motor controller system
- 3 pre-set performance modes (Economy, Power, High Power)
- 1 Manual (custom) performance mode
- Secure, PIN access to personalized performance settings
- Multi-function LCD:
  - Hour meters (4), clock, calendar
  - Operator PIN security access
  - On-board diagnostics
  - Programmable service reminders
  - Speedometer and F/N/R transmission reminder
  - BDI with lift interrupt
- On-board diagnostics, self test and error code history
- Flex-logic acceleration control

### Battery/Electrical

- 36/48-Volt, brushless AC drive, motor, lift and steering systems
- Larger battery box to accommodate up to 25 plate batteries<sup>5</sup>

### Brake

- 5-mode regenerative braking (including controlled rollback)
- Foot-applied parking brake with warning buzzer

### Hydraulic System

- Exclusive single lift/tilt control lever
- Load sensing, on-demand AC controlled hydraulic power steering

### Operator Conveniences

- Full suspension, fold down cloth seat with weight and lumbar adjustment, operator restraint, and anti-cinching retractable seatbelt
- Auto-Power off system
- Infinitely adjustable steering wheel
- Small diameter steering wheel
- Overhead guard mounted headlights
- Five-piece overhead guard

### Protection/security

- Operator Presence System with seat-actuated lift-interrupt system, return to neutral, seatbelt and parking brake warning buzzers
- Audible back-up warning alarm
- Cushioned stability control
- U.L. "ES" rated electrical system

## OPTIONAL EQUIPMENT\*

- Battery compartment rollers<sup>1</sup>
- Exclusive three-stage OPTIVIEW® mast
- High visibility carriage<sup>2</sup>
- Separate lift and tilt hydraulic control levers
- Auto-fork leveling
- Hydraulic accumulator in the lift system
- Hang-on and integral sidershifters
- Sidershifting fork positioner
- Extra forward tilt
- Quick disconnects
- Freezer package<sup>3</sup>
- Rearview mirrors
- Rear work light
- Blue LED pedestrian awareness light
- Rear combination light package (turn, stop, backup)
- Self-adjusting back-up alarm
- Orange seatbelt
- Rear assist grip with horn button
- Steering wheel with spinner knob
- U.L. "EE" rated electrical system
- Strobe light
- Fire extinguisher
- Overhead guard modifications (drive-in racking, extensions, etc.)
- Magnetic convenience tray
- Traction, or smooth; non-marking tires
- Standard, or polished and tapered, forks in a variety of lengths
- Single, or dual, IHR for all available mast types
- Full suspension cloth or vinyl swivel seat<sup>4</sup>

<sup>1</sup> Battery roller height from floor - 18.8" (480mm)

<sup>2</sup> Available up to 5,000 lb capacities

<sup>3</sup> Operate down to -31°F (-35° C) in 1/2 hour intervals

<sup>4</sup> Only available on 4,000 - 8,000 lb capacities

<sup>5</sup> BXC40R and BXC50R

\* Some optional equipment may require extended lead time.

UniCarriers® is a registered trademark of UniCarriers Corporation. OPTIVIEW is a registered trademark of UniCarriers Americas. UniCarriers Americas Corporation reserves the right to make product changes relating to colors, equipment, specifications or available options without notice. For more information, contact your UniCarriers representative.